

FEATURES

- Economical and light weight
- All welded construction
- Laser welded diaphragm

APPLICATION

- Separation systems
- Isolation applications
- Viscous & corrosive media
- High-pressure applications
- High vibration application

Heavy Duty Mini Seal

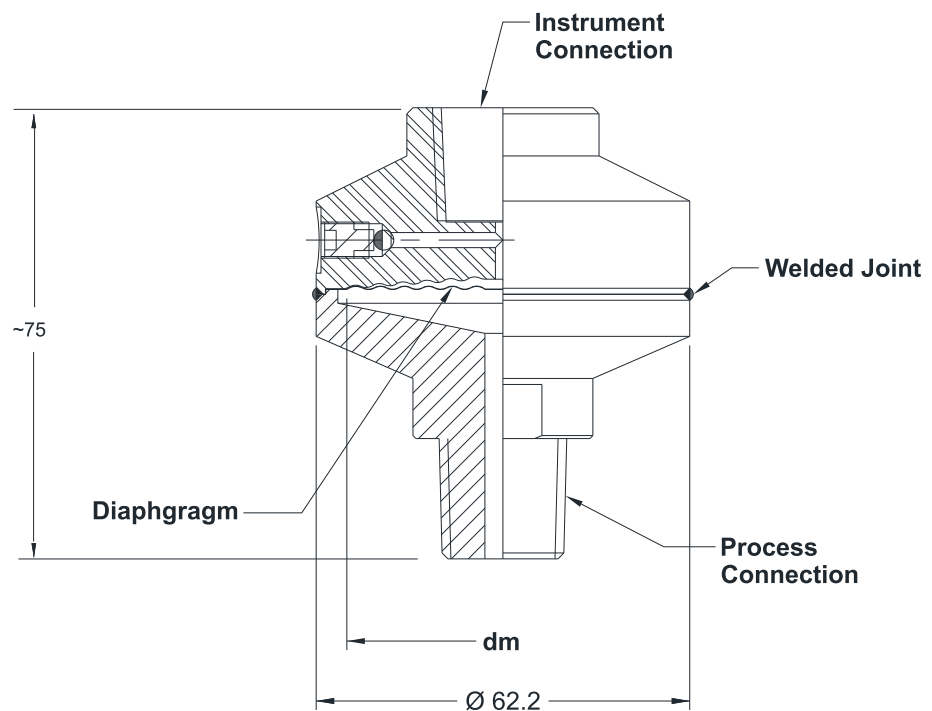


STANDARD SPECIFICATIONS

Range type	: -1/0 to 0/600 bar
Top Chamber material	: AISI 304 SS
Bottom Chamber material	: AISI 316 SS
Diaphragm	: AISI 316 LSS
Instrument connection	: 1/2" NPT (F) / 1/2" BSP (F)
Sealing fluid	: Silicon DC 200 (-40...205°C)
Process connection	: 1/2" NPT (M) / 1/2" BSP (M)
Assembly	: Direct or remote

DIMENSIONAL DRAWING

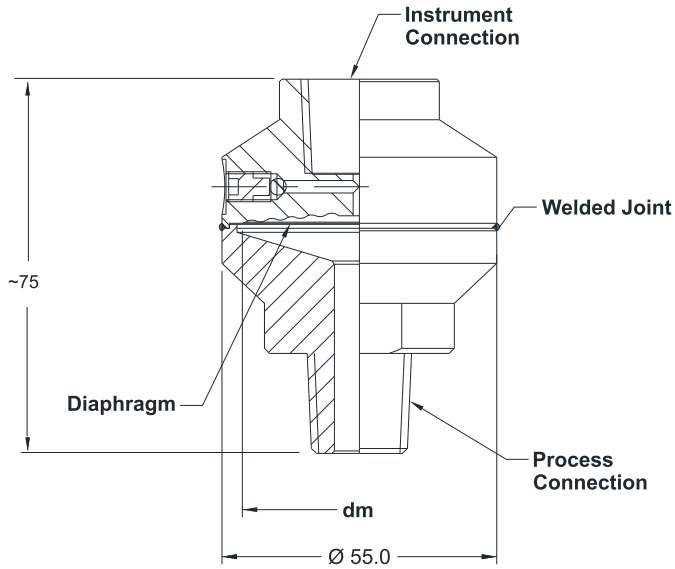
Type S11



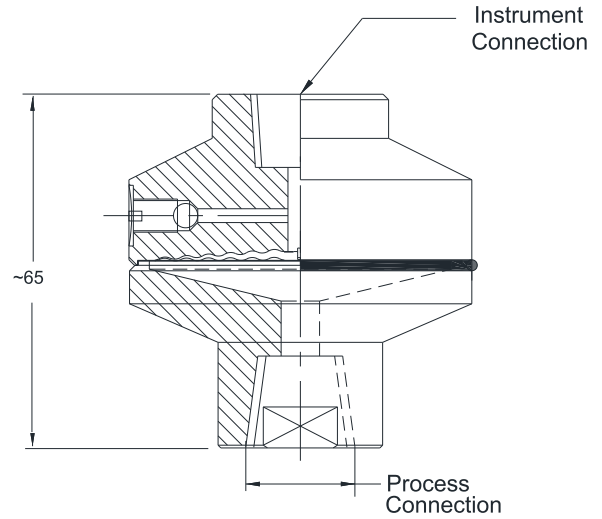
All dimensions are in mm.

DIMENSIONAL DRAWING

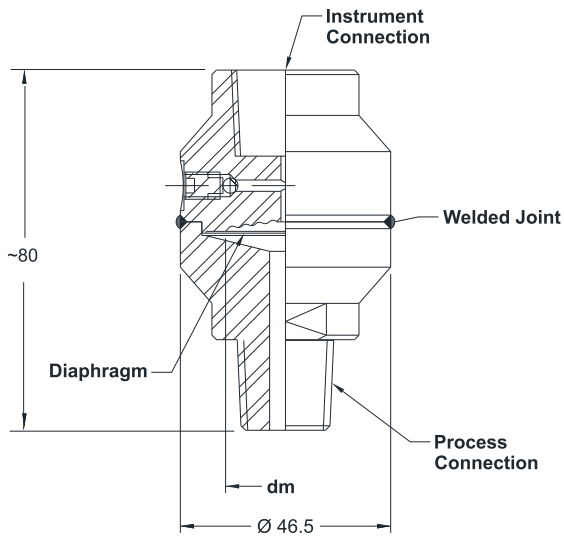
Type S12



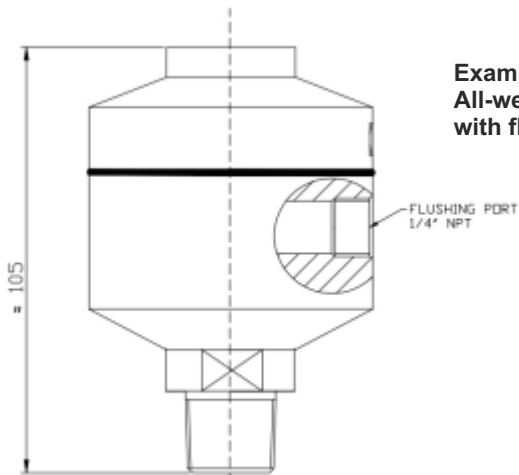
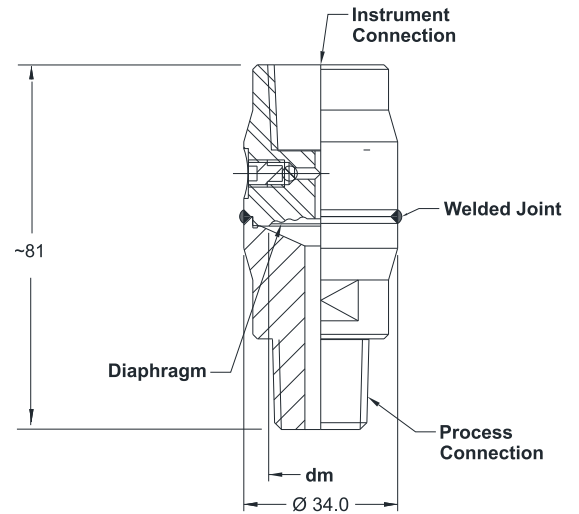
Example for female process connection



Type S13



Type S14



Example of All-welded compact seal with flushing port

ORDERING CODES

1. RANGE TYPE

S11 -1/0 bar to 0/60 bar
S12 0/4 bar to 0/60 bar
S13 0/100 bar to 0/250 bar
S14 280...600 bar

S11

2. TOP CHAMBER MATERIAL

LC AISI 304 SS **LF** AISI 316 SS

LC

3. BOTTOM CHAMBER MATERIAL

NF AISI 316 SS **NG** AISI 316L SS
NM Monel 400 **NO** Hastelloy C-276
NV Titanium **NQ** Inconel 625

NG

4. DIAPHRAGM MATERIAL

DG AISI 316L SS **DO** Hastelloy C-276
DV Titanium **DQ** Inconel 600/625
DM Monel 400 **DP** Hastelloy C22
DW Tantalum

DG

5. INSTRUMENT CONNECTION

02B 1/4" BSP (F) **04N** 1/2" NPT (F)
02N 1/4" NPT (F) **04B** 1/2" BSP (F)

04N

6. SEALING FLUID

OA Silicon DC 200 [-40°C to 200°C]
OF Food grade oil [-20°C to 140°C]
OI Syltherm 800 [-40°C to 380°C]
OL Silicon DC 710 [0°C to 250°C]
OG HT 270 (PFPE) [-50 ... +250 °C]
OB 47V20 silicon oil [-50 ... +240 °C]

OA

7. PROCESS CONNECTION

12B 1/4" BSP (M) **12N** 1/4" NPT (M)
14B 1/2" BSP (M) **14M** M20 x 1.5 (M)
14N 1/2" NPT (M) **04N** 1/2" NPT (F)
02N 1/4" NPT (F) **04B** 1/2" BSP (F)
02B 1/4" BSP (F)

14N

(For other connections, contact factory)

8. ASSEMBLY

B8 Direct
B9 Remote (capillary)

B8

9. CAPILLARY

OU AISI 304 SS **OV** AISI 316 SS

XX

10. ARMOUR

OX AISI 304 SS **OY** AISI 316 SS
OZ PVC (Ambient max. 60°C)

XX

11. REMOTE MOUNTING LENGTH

XXXX 1000 mm up to 6000 mm
 (For longer lengths, contact factory)

XXXX

12. OTHER OPTIONS

XZ Dry seal
HL Helium leak test
TC Material test certificate 3.1
FP Flushing port in bottom chamber
TN Tested to NACE Standard
TQ Hydrogen service (Consult factory)
TF PMI Test

XX

Ordering Example : D103-S11-LC-DG-04N-OA-14N-B8

NOTES:

- Other sealing liquids are available, contact factory for further details.
- Remote mounting applicable in range type S11, S12 & S13.
- All metal diaphragms are laser welded to the Top Chamber.