

capsule pressure gauges DS 2.5 (63mm)

MN9



For measurement of low pressure and vacuum, for use on gas and dry air.

2.09.1 - Standard Model

Design: EN 837-3.

Ranges: from 0...24 to 0...600 INWC (from 0...60 mbar to 0...600 mbar or equivalent units).

Accuracy class: 1.6 as per EN 837.

Ambient temperature: -13...+149 °F (-25...+65 °C).

Process fluid temperature: +122 °F; (+50 °C).

Working pressure: max 75% of FSV.

Over pressure limit: 25% of FSV.

Protection degree: IP 55 as per IEC 529.

Socket material: copper alloy, nickel plated.

Elastic element: copper alloy.

Case: stainless steel.

Ring: stainless steel polished, crimped.

Window: plastic.

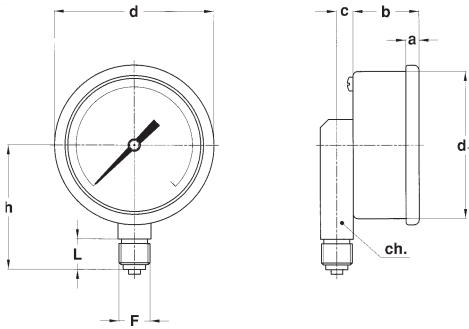
Movement: copper alloy.

Dial: aluminium, white with black markings.

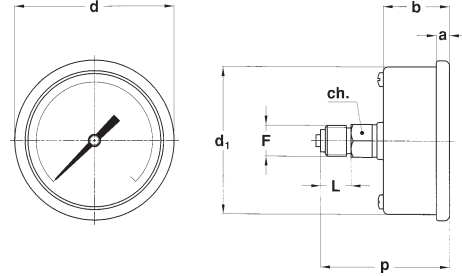
Pointer: aluminium.

Zero adjustment: external.

0...60 mbar	-60...0 mbar	-20...40 mbar
0...100 mbar	-100...0 mbar	-40...20 mbar
0...160 mbar	-160...0 mbar	-40...60 mbar
0...250 mbar	-250...0 mbar	-60...40 mbar
0...400 mbar	-400...0 mbar	-60...100 mbar
0...600 mbar	-600...0 mbar	-100...60 mbar
		-100...150 mbar
		-150...100 mbar
		-150...250 mbar
		-250...150 mbar
		-200...400 mbar
		-400...200 mbar



A - LOWER CONNECTION



D - BACK CONNECTION

Mounting	DN	F	a	b	c	d	d ₁	h	p	L	ch	Weight : lbs (kg)
Lower	2.5" (63 mm)	G 1/4 B 1/4-18 NPT	0.22 (5,6)	1.10 (28)	0.28 (7)	2.68 (68)	2.46 (62,6)	2.09 (53)		0.51 (13)	0.55 (14)	0.46 (0,21)
Back	2.5" (63 mm)	G 1/4 B 1/4-18 NPT	0.22 (5,6)	1.10 (28)		2.68 (68)	2.46 (62,6)		2.12 (53,8)	0.51 (13)	0.55 (14)	0.39 (0,18)

dimensions : inches (mm)

OPTIONS

"U"-clamp, for back connection pressure gauges
Front flange, for back connection pressure gauges

"HOW TO ORDER" SEQUENCE

Section / Model / Case / Mounting / Diameter / Range / Process connection / Options

2 09 1 A C
D

